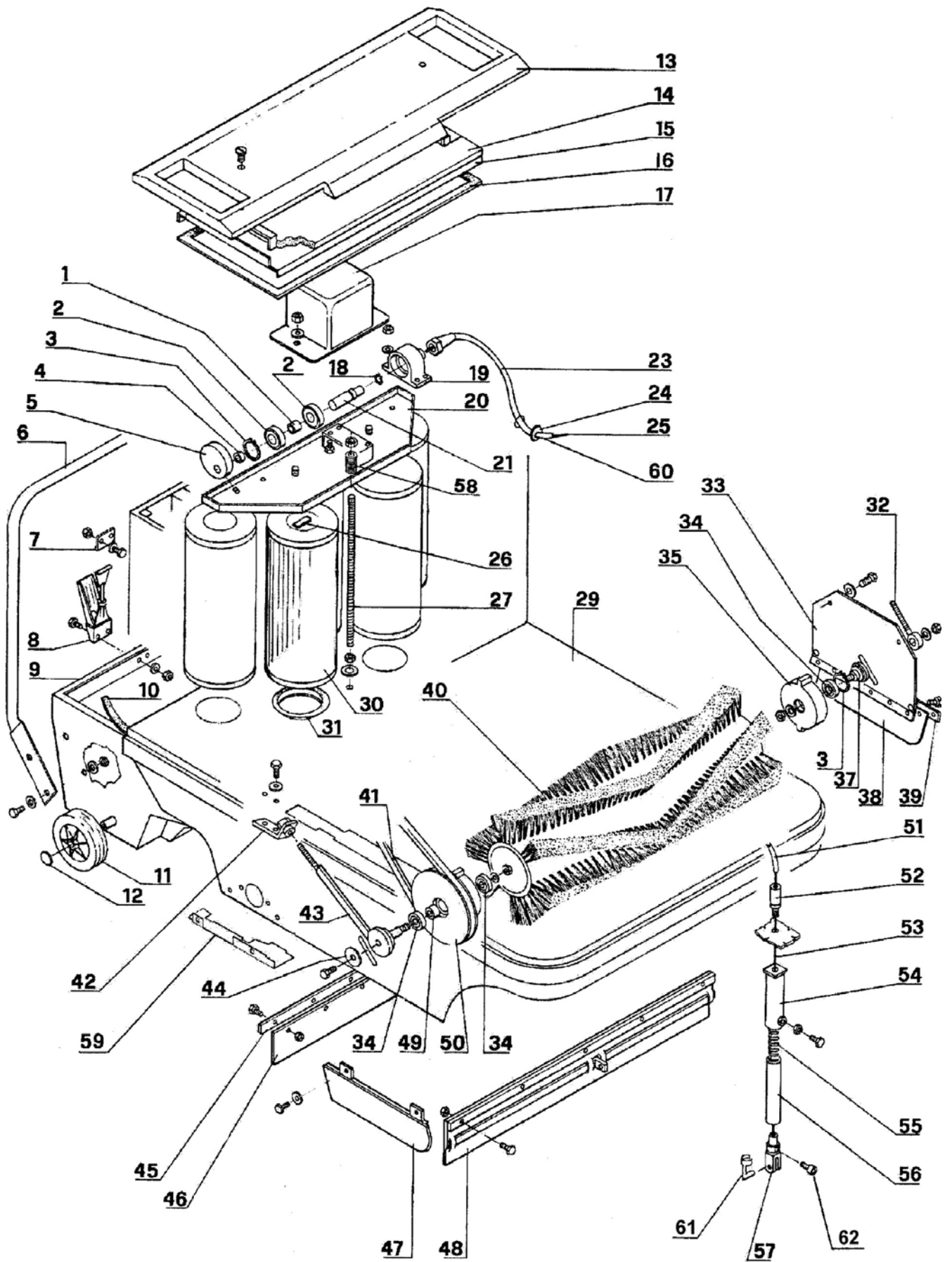


COLLECTOR 37

SPARE PARTS CATALOG





Pos.		Powerboss	Description	Briggs & Stratton Qty	Electric Qty
1		1000376	Spacer	1	1
2		1000783	Bearing	3	3
3		1001201	Retainer - Snap Ring	3	3
4		1000377	Spacer	1	1
5		1000494	Eccentric Weight	1	1
6		1000361	Handle - Hopper	1	1
7		1001015	Keeper - Overcenter Latch	1	1
8		1001014	Latch - Over Center	1	1
9		1000203	Hopper - Debris	1	1
10		1001814	Seal - Hopper	mts	mts
11		1000844	Wheel	2	2
12		1001044	End Cap	2	2
13		1000649	Cover - Filter, Grey RAL 7038	-	-
		1002046	Cover - Filter, Orange RAL 2002	-	-
14		1000759	Foam Layer	1	1
15		1000186	Lid - Filter Box	1	1
16		1001814	Seal - Filter Box	mts	mts
17		1000610	Cover	1	1
18		1001202	Retainer - Snap Ring	1	1
19		1000544	Bearing Block	1	1
20		1001384	Cover	1	1
21		1000541	Shaft	1	1
23		1001785	Drive - Flexible PTO	1	1
24		1000668	Grommet	1	1
25		1001019	Flexible Transmission	1	1
26		1001814	Gasket	mts	mts
27		1000067	Threaded Rod	3	3
29		1000316	Main Frame	1	1
30		1000915	Filter - Dust Control	5	5
31		1000732	Gasket - Filter	5	5
32		1000535	Adjuster - Main Broom	1	1
33		1000319	End Cover - Broom Chamber	1	1
34		1000786	Bearing	3	3
35		1000572	Idler	1	1
36		1001201	Retainer - Snap Ring	3	3
37		1000514	Shaft - Main Broom Idler	1	1
38		1000716	Flap - Main Broom Left	1	1
39		1000065	Strap - Main Broom Flap	1	1
40		1000922	Main Brush	1	1
41		1000824	Belt	1	1
42		1000321	Adjuster	1	1
43		1000322	Shaft	1	1
44		1001195	Washer	1	1
45		1000017	Strap - Rear Flap	1	1
46		1000712	Flap - Main Broom Rear	1	1
47		1001834	Flap - Main Broom Right Side	1	1
48		1000730	Flap - Front Debris Door	1	1
*		1001333	Rubber flaps kit	*	*
49		1000400	Spacer	1	1
50		1000573	Support	1	1
51		1000993	Sheath	1	1

Pos.		Powerboss	Description	Briggs & Stratton Qty	Electric Qty
52		1000202	Adjuster	1	1
53		1000982	Wire - Flex Cable	1	1
54		1000184	Guide - Spring	1	1
55		1000954	Spring	1	1
56		1000320	Guide - Spring	1	1
57		1000323	Clevis	1	1
58		1001417	Spring	3	3
59		1001442	Bar	1	1
60		1001020	Sheath	1	1
61		1002049	Clip	1	1
62		1002050	Screw	1	1

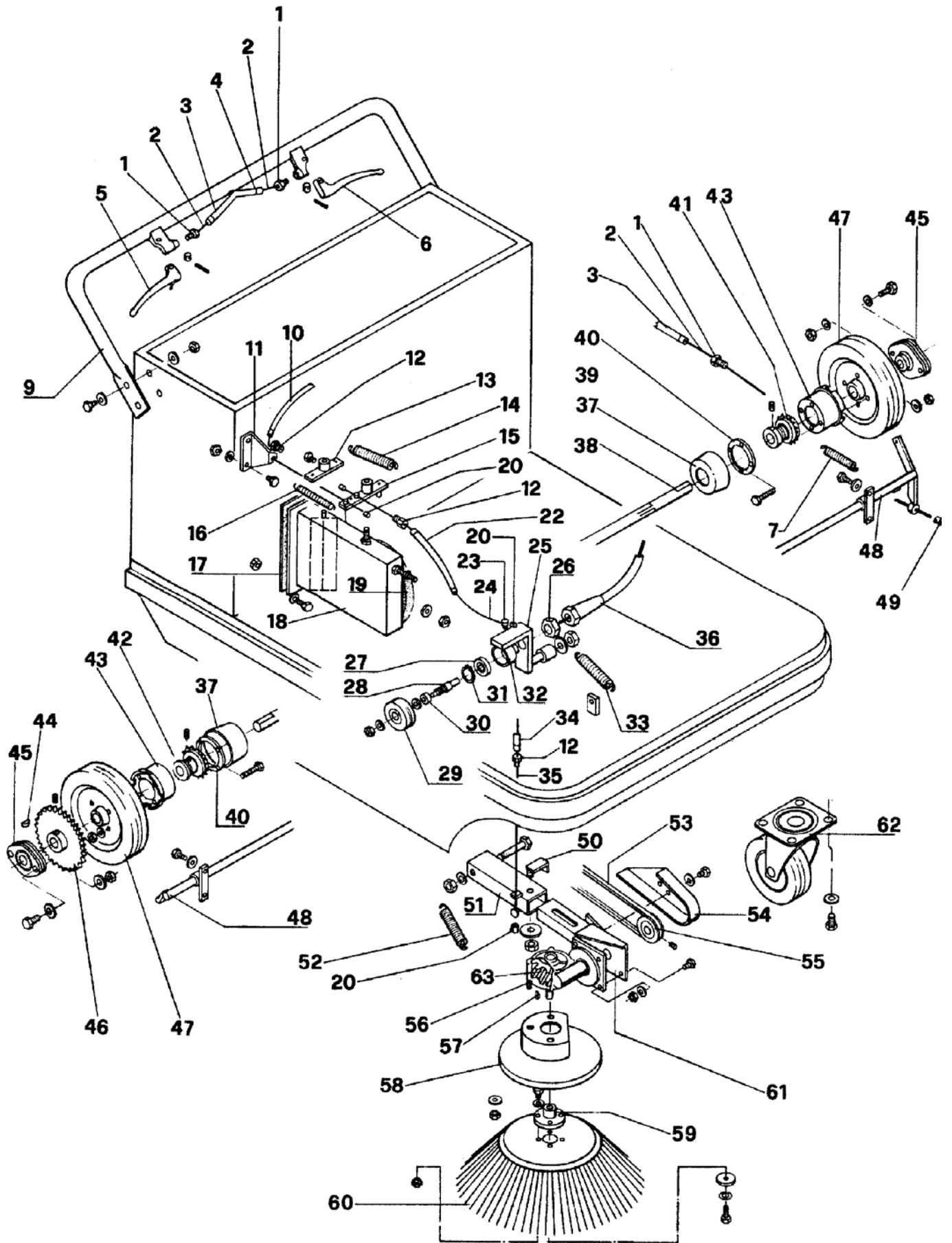


DIAGRAM 2**COLLECTOR 37**

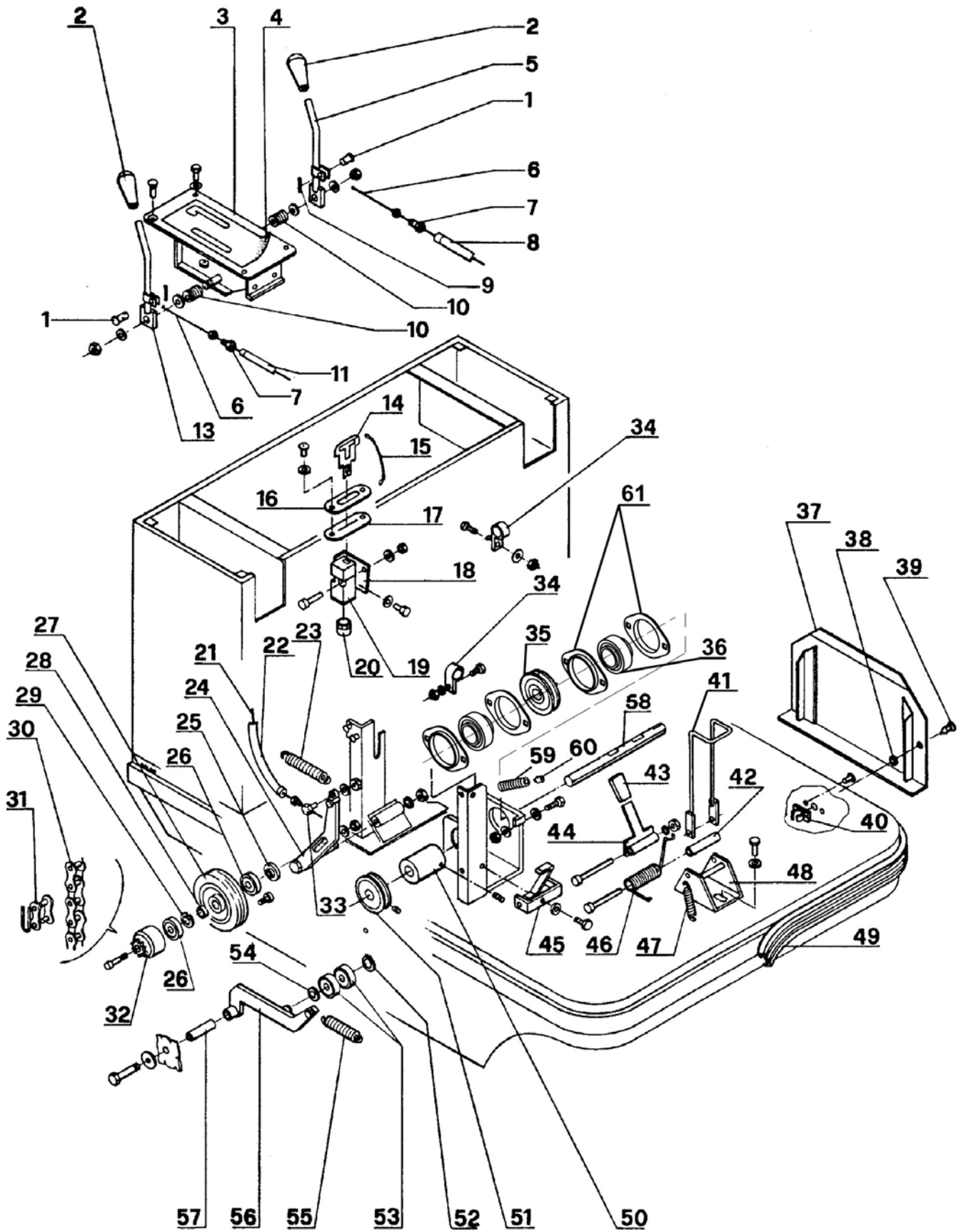
01/09/2008

Pos.		Powerboss	Description	Briggs & Stratton Qty	Electric Qty
1		1001003	Adjuster	4	4
2		1001000	Wire - Flex Cable	2	2
3		1000995	Sheath	1	1
4		1000994	Sheath	1	1
5		1000977	Brake Control Lever	1	1
6		1000978	Motion Control Lever	1	1
7		1000943	Spring	2	2
9		1000368	Handle	1	1
10		1000996	Sheath	1	1
11		1000068	Support	1	1
12		1001002	Adjuster	4	3
13		1000276	Lever	1	1
14		1000941	Spring	1	1
15		1000324	Plate	1	1
16		1000942	Spring	1	1
17		1000709	Gasket	1	1
18		1000611	Housing	1	1
19		1000710	Washer	1	1
20		1000988	Clamp - Adjuster	4	3
22		1000997	Sheath	1	1
23		1000987	Ratchet	2	2
24		1000984	Cable Wire	1	1
25		1000124	Assy - Wheel Bracket	1	1
26		1001183	Nut	1	1
27		1000783	Bearing	3	3
28		1000542	Shaft	1	1
29		1000836	Wheel	1	1
30		1000377	Spacer	1	1
31		1001201	Retainer - Snap Ring	3	3
32		1000378	Support	1	1
33		1000939	Spring	2	2
34		1000998	Sheath	1	1
35		1000982	Wire - Flex Cable	1	1
36		1001020	Drive - Flexible PTO	1	1
37		1000655	Dust - Casing	2	2
38		1000517	Shaft	1	1
40		1000064	Free Wheel Flange	2	2
41		1001452	Hub (left)	2	2
42		1001451	Hub (right)	1	1
43		1000654	Free Wheel Flange	2	2
44		1001225	Key	1	1
45		1000807	Bearing - Flange	4	4
46		1000558	Ring Gear	1	1
47		1000846	Wheel	2	2
48		1000325	Brake Arm	1	1
49		1001001	Clamp - Wire End	2	2
50		1000188	Screw	1	1
51		1000189	Support reducer	1	1
52		1000956	Spring	1	1
53		1000825	Belt	1	1
54		1000627	Protection	1	1

DIAGRAM 2**COLLECTOR 37**

01/09/2008

Pos.		Powerboss	Description	Briggs & Stratton Qty	Electric Qty
55		1000579	Pulley	1	1
56		1000928	Reducer	1	1
57		1001774	Key	1	1
58		1000629	Protection	1	1
59		1000653	Flange	1	1
60		1000913	Side brush	1	1
61		1000190	Support reducer	1	1
62		1000845	Wheel	1	1
63		1001779	Reduction gear	1	1



Pos.	Powerboss	Description	Briggs & Stratton Qty	Electric Qty
1	1000493	Pin	4	3
2	1000693	Handle	4	3
3	1000192	Instruments Panel	1	1
4	1000897	Decal	1	1
5	1000195	Lever	1	1
6	1000982	Wire - Flex Cable	1	1
7	1000986	Ratchet	7	3
8	1000998	Sheath	1	1
9	1001236	Cotter Pin	4	3
10	1000957	Spring	4	3
11	1000993	Sheath	1	1
13	1000193	Lever	1	1
14	1001391	Safety Key	1	1
15	1001010	Wire Rope	1	1
16	1000103	Plate - Safety Key	1	1
17	1000724	Spacer - Safety Key	1	1
18	1000107	Bracket - Safety Key Mount	1	1
19	1001393	Switch - Safety Key	1	1
19	1001392	Switch with Key	1	1
20	1001094	End Clamp	1	1
21	1001000	Wire - Flex Cable	2	2
22	1000994	Sheath	1	1
23	1000939	Spring	2	2
24	1000183	Lever	1	1
25	1000442	Spacer	1	1
26	1000798	Bearing	2	2
27	1000847	Drive Wheel	1	1
28	1000443	Spacer	1	1
29	1001213	Retainer - Snap Ring	1	1
30	1000854	Chain - Roller	1	1
31	1000857	Connector Link - Roller Chain	1	1
32	1000557	Pinion	1	1
33	1000495	Screw - Pivot	1	1
34	1001095	Clamp	2	2
35	1000583	Pulley	1	1
36	1000807	Bearing	2	2
37	1000200	Cover - Side	1	1
38	1001042	Rubber Ring	2	2
39	1001043	Pivot	2	2
40	1001041	Receptacle	2	2
41	1000256	Safety Lever	1	1
42	1000474	Spacer	1	1
43	1000705	Handle	1	1
44	1000258	Lever's Stop	1	1
45	1000196	Belt-guide	1	1
46	1000968	Spring	1	1
47	1000942	Spring	1	1
48	1000255	Bracket - Safety Lever	1	1
49	1000658	Bumper	3,3 MTS	3.3 MTS
50	1000491	Advancing Roller	1	1
51	1000582	Pulley	1	1

DIAGRAM 3**COLLECTOR 37**

01/09/2008

Pos.		Powerboss	Description	Briggs & Stratton Qty	Electric Qty
52		1001208	Ring	2	1
53		1000785	Bearing	4	2
54		1001768	Washer	2	2
55		1000951	Spring	2	2
56		1000318	Lever - Belt Tension	1	1
57		1000441	Bushing - Pivot	1	1
58		1000516	Shaft	1	1
59		1000946	Spring	1	1
60		1001001	Clamp	1	1
61		1001833	Support	2	2

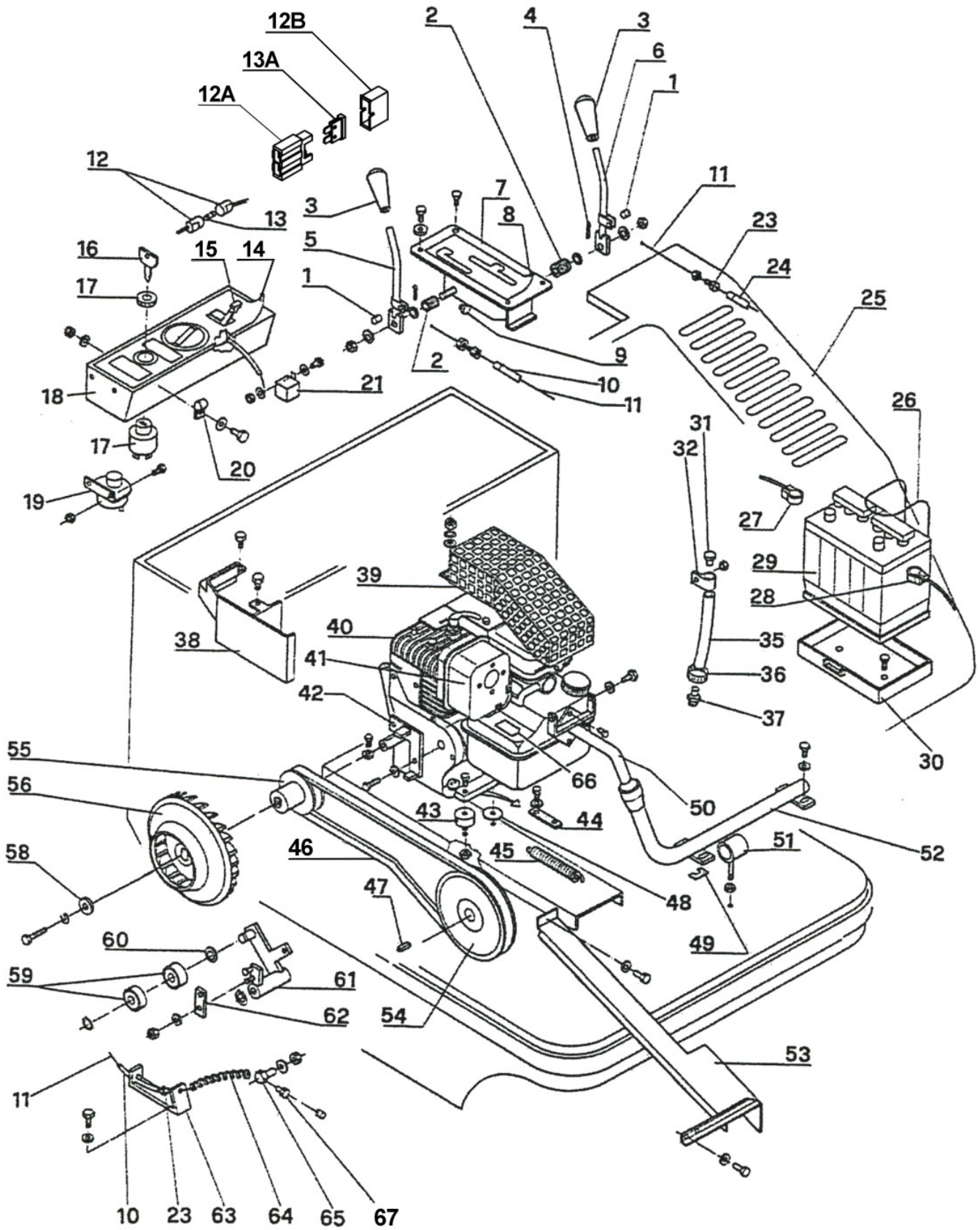


DIAGRAM 4

COLLECTOR 37

01/09/2008

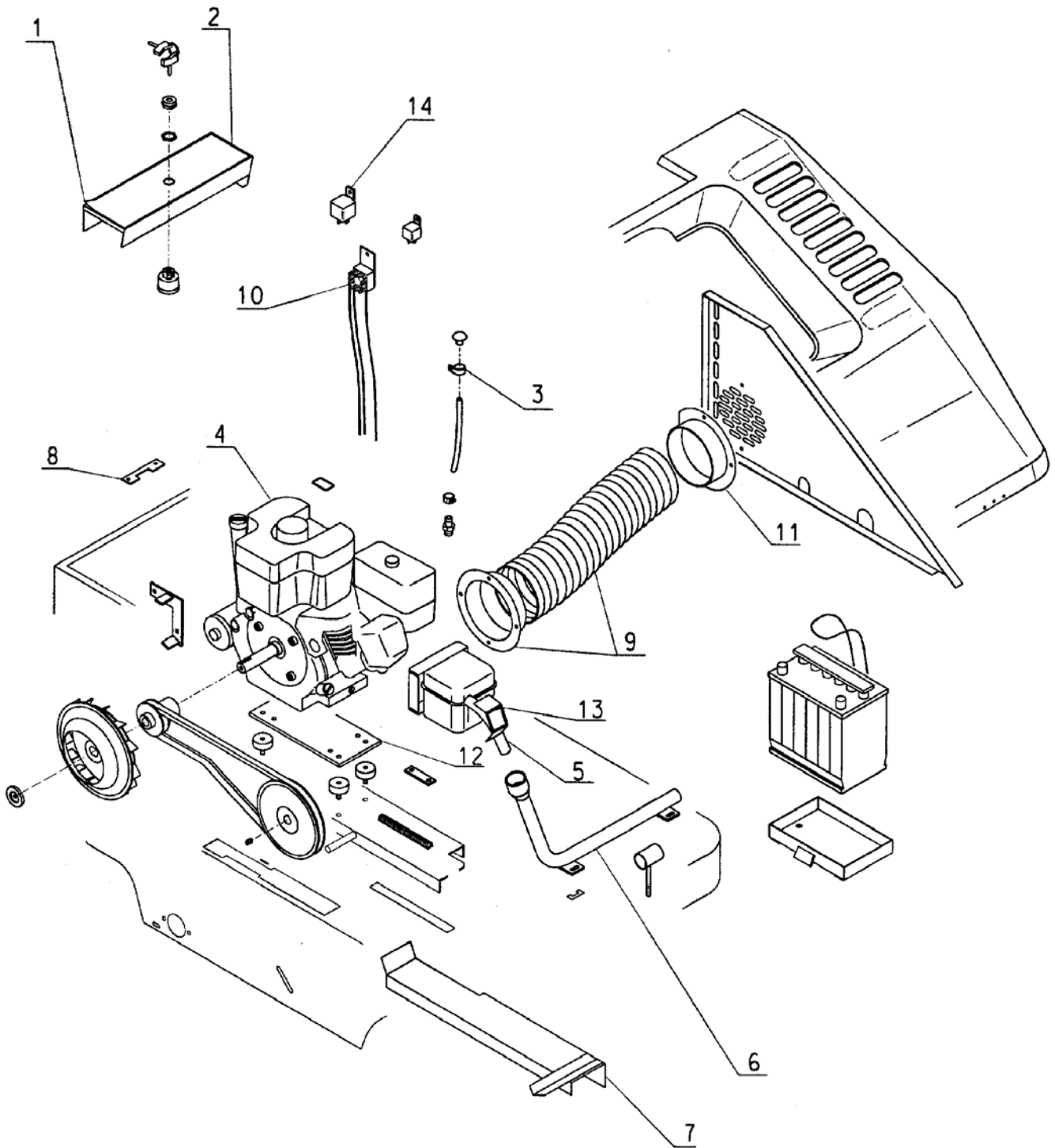
Pos.	Powerboss	Description	Briggs & Stratton Qty	Electric Qty
1	1000493	Cylinder	4	3
2	1000957	Spring	4	3
3	1000693	Plate handle	4	3
4	1001236	Split pin	4	3
5	1000193	Lever	2	2
6	1000194	Vibrator lever	1	1
7	1000191	Instruments panel	1	-
8	1000898	Adhesive	1	-
9	1000694	Rubber plug	4	3
10	1000999	Sheath	1	-
11	1000982	Thread	1	-
12	1001117	Fuse-box Up to frame's number 87000252	1	-
12A	1002008	Fuse-box From frame's number 87000253	1	-
12B	1002009	Cover From frame's number 87000253	1	-
13	1001116	Fuse 8A Up to frame's number 87000252	1	-
13A	1002020	Fuse 7.5A From frame's number 87000253	1	-
14	1001461	Adhesive up to serial n° 2701	1	-
15	1000976	Handle - Throttle-Up to serial n° 2701	1	-
16	1001153	Couple of keys	1	-
17	1001154	Switch	1	-
18	1000198	Instruments Panel-Up to serial n° 2701	1	-
19	1001146	Switch - Solenoid-Up to serial n° 2701	1	-
20	1001095	Clamp-Up to serial n° 2701	2	-
21	1001149	Microswitch	1	-
23	1000986	Ratchet	7	3
24	1000996	Sheath	1	1
25	1000650	Cover - Gray	R	-
	1002047	Cover - Orange	-	R
	1002048	Cover - Orange	R	-
26	1000696	Rubber ring	1	-
27	1001131	Clamp(-)	1	-
28	1001130	Clamp(+)	1	-
29	1001080	Battery	1	-
30	1000187	Batteries case	1	-
31	1000665	Rubber plug	1	-
32	1001095	Clamp	1	-
35	1000695	Oil drain hose	1	-
36	1001016	Clamp	1	-
37	1000390	Nipples	1	-
38	1000210	Air conveyor - Up to serial n° 2701	1	-
39	1000206	Protection - Up to serial n° 2701	1	-
40	1000932	B&S Engine up to serial n° 2112	1	-
41	1000935	Muffler up to serial n° 2701	1	-
42	1000197	Belt-Guide	1	-
43	1000697	Isolator - Engine Mount	4	-
44	1001438	Plate	1	-

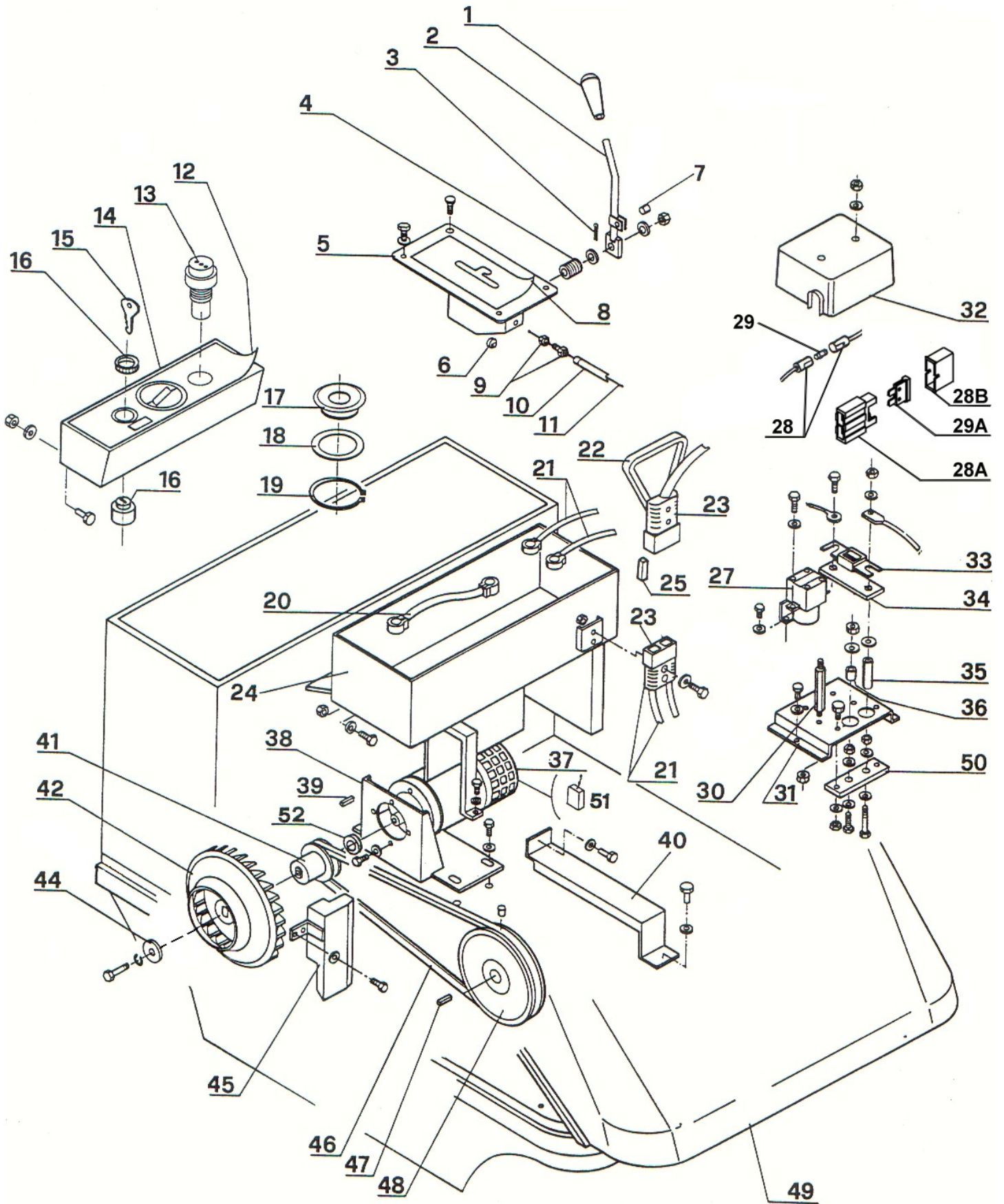
DIAGRAM 4**COLLECTOR 37**

01/09/2008

Pos.		Powerboss	Description	Briggs & Stratton Qty	Electric Qty
45		1000951	Spring	1	-
46		1000826	Belt	1	-
47		1001224	Key	1	-
48		1001194	Washer-Up to serial n° 2701	4	-
49		1000073	Thickness	2	-
50		1000205	Exhaust Pipe-Up to serial n° 2701	1	-
51		1000209	Pipe Support	1	-
52		1000369	Exhaust Pipe-Up to serial n° 2701	1	-
53		1000260	Cover - Belt-Up to serial n° 2701	1	-
54		1000595	Pulley	1	-
55		1000515	Pulley	1	-
56		1000661	Vacuum fan	1	-
58		1000609	Disc	1	-
59		1000785	Bearing	4	2
60		1001768	Washer	2	1
61		1000317	Belt tensioner	1	-
62		1000066	Plate	1	-
63		1000069	Plate	1	-
64		1000955	Spring	1	-
65		1000492	Articulation	1	-
66		1001443	Adhesive	1	-
67		1001786	Screw	1	-

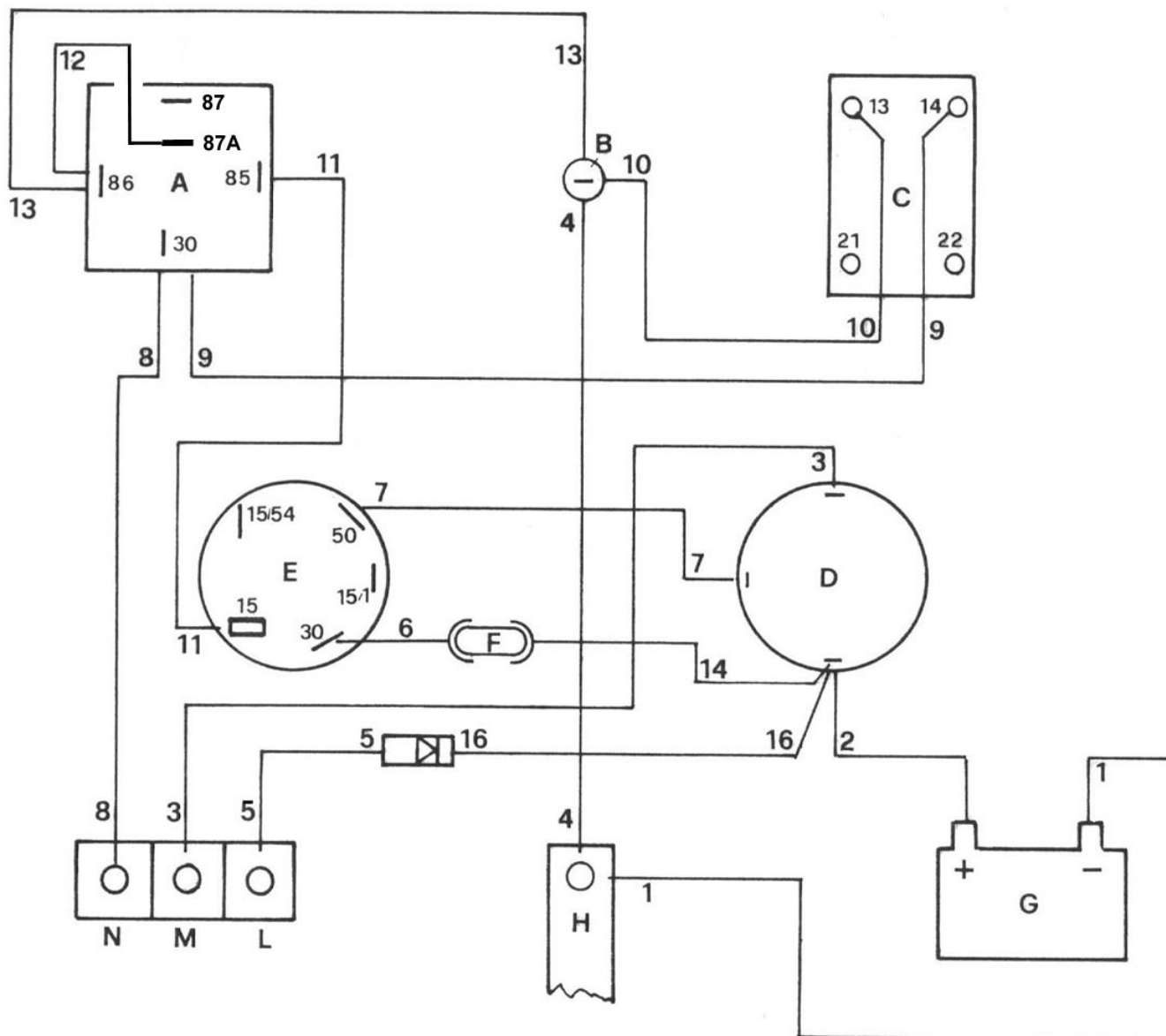
From serial n° 2702





Pos.		Powerboss	Description	Briggs & Stratton Qty	Electric Qty
1		1000693	Plate handle	4	3
2		1000194	Lever	1	1
3		1001236	Split pin	4	3
4		1000957	Spring	4	3
5		1000207	Instruments panel	-	1
6		1000694	Rubber plug	4	3
7		1000493	Cylinder	4	3
8		1000899	Adhesive	-	1
9		1000986	Adjuster	7	3
10		1000996	Sheath	1	1
11		1000982	Thread	1	1
12		1000895	Adhesive	-	1
13		1001135	Battery charge indicator	-	1
13		1001835	Battery charge indicator from 2004	-	1
14		1001398	Instruments panel	-	1
15		1001153	Couple of keys	1	1
16		1001154	Switch without key	1	1
17		1000698	Handle	-	1
18		1000717	Rubber ring	-	1
20		1001371	Battery Wiring (American laws)	-	1
		1001085	Battery Wiring (European laws)	-	1
21		1001370	Battery Wiring (American laws)	-	1
		1001084	Battery Wiring (European laws)	-	1
22		1001123	Handle	-	1
23		1001388	Connector - Battery Cable (American laws)	-	2
		1001122	Connector - Battery Cable (European laws)	-	2
24		1000208	Batteries case	-	1
25		1001124	Polarizer	-	1
27		1001144	Electromagnetic switch	-	1
28		1001117	Fuse-box Up to frame's number 87000252	-	1
28A		1002008	Fuse-box From frame's number 87000253	-	1
28B		1002009	Cover From frame's number 87000253	-	1
29		1001092	Fuse 16A Up to frame's number 87000252	-	1
29A		1002007	Fuse 15A From frame's number 87000253	-	1
30		1000421	Spacer	-	2
31		1000070	Support	-	1
32		1000628	Protection	-	1
33		1001118	Fuse	-	1
34		1000762	Bakelite base	-	1
35		1000071	Spacer	-	1
36		1000072	Spacer	-	1
37		1001403	Electric engine	-	1
38		1000204	Support	-	1
39		1001219	Key	-	1
40		1000108	Protection	-	1
41		1000518	Pulley	-	1
42		1000661	Vacuum fan	1	1
44		1001789	Disc	1	1

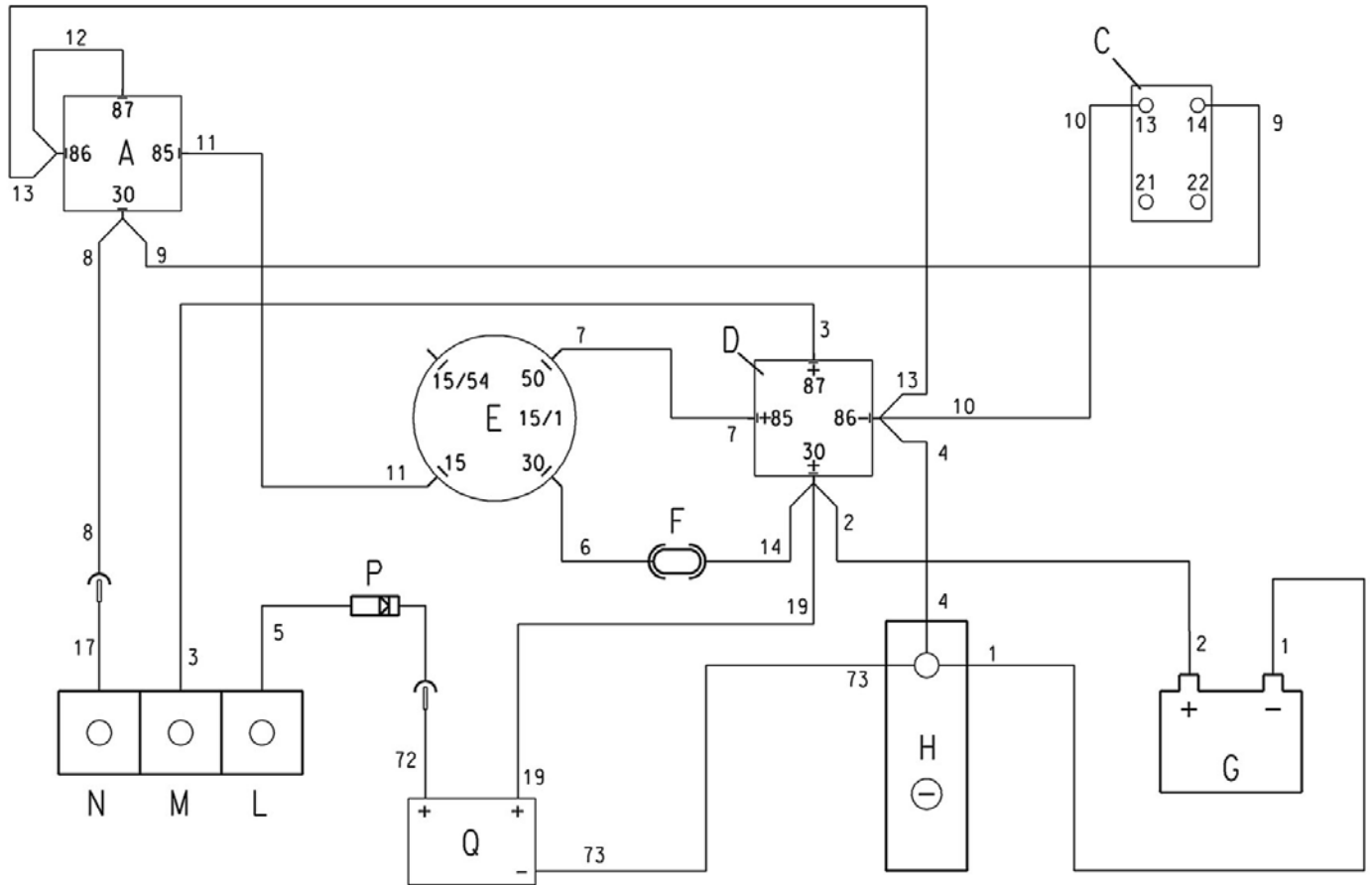
Pos.		Powerboss	Description	Briggs & Stratton Qty	Electric Qty
45		1000211	Air conveyor	-	1
46		1000827	Belt	-	1
47		1001224	Key	1	1
48		1000596	Pulley	1	1
49		1000651	Grey hood	-	*1
50		1000757	Bakelite base	-	1
51		1001375	Carbon for motor 1001403	-	4
52		1001396	Spacer	-	1



COLLECTOR 37 W/ B&S - Up to serial n° 2701

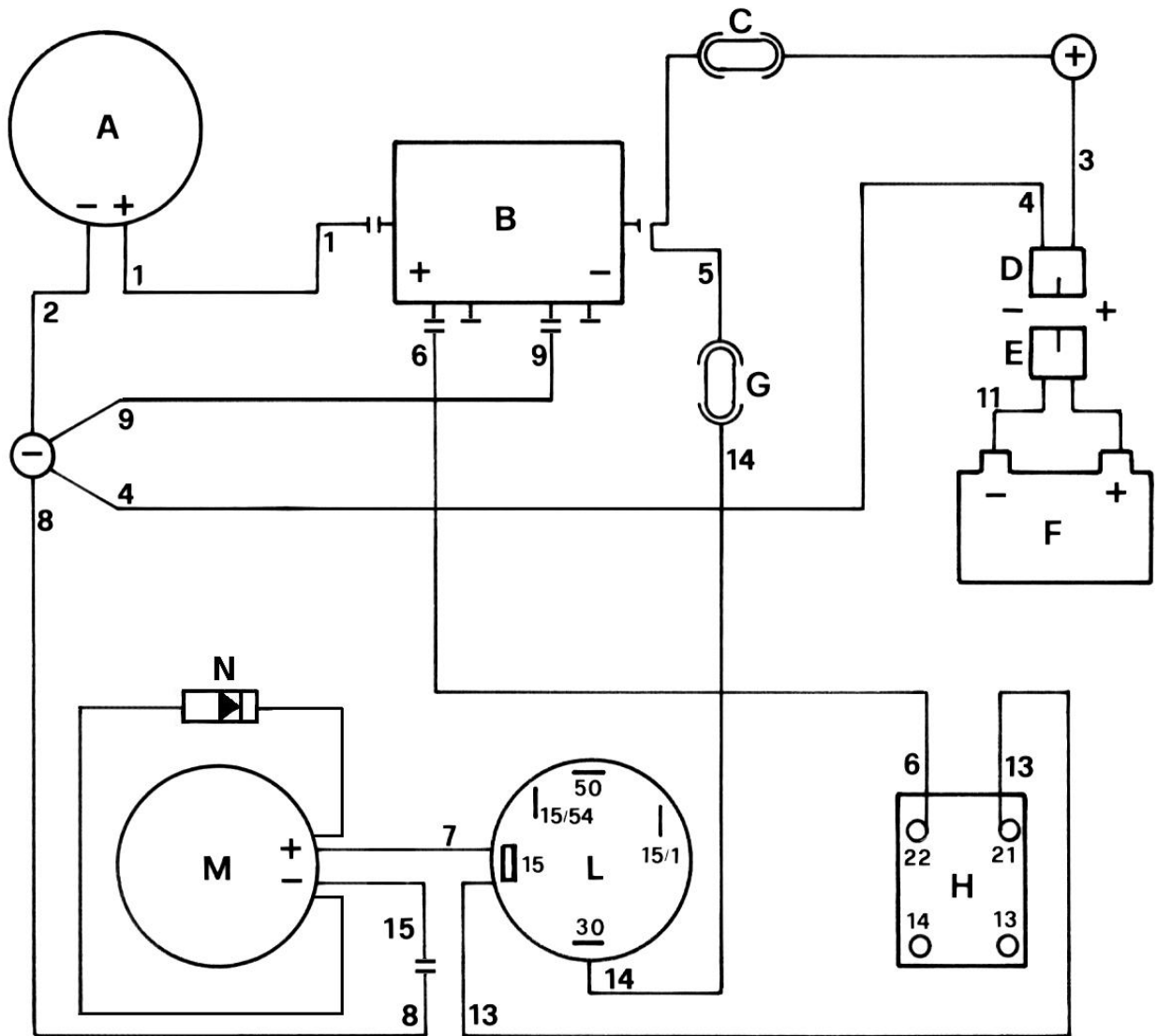
WIRING DIAGRAM	
A	Microswitch
B	Negative pole
C	Safety switch*
D	Electromagnetic switch
E	Switch
F	Fuse 8A
G	Battery 12V
H	Negative pole
L	Generator's outlet
M	Starter
N	Switching off
O	Diode 3A

* OPTIONAL



COLLECTOR 37 W/ B&S Intek Pro 206 From serial n° 2702

WIRING DIAGRAM	
A	Microswitch
C	Safety switch
D	Electromagnetic switch
E	Switch
F	Fuse 7.5A
G	Battery 12V
H	Motor negative pole
L	Alternator's outlet
M	Starter
N	Switching off
P	Diode original
Q	Governor



COLLECTOR 37E

WIRING DIAGRAM	
A	Electric engine 12v – part nr. 610018
B	Electromagnetic switch – part nr. 660002
C	Fuse 80A – part nr. 640076
D	Mobile connector
E	Steel connector
F	Battery
G	Fuse 15A – part nr. 640111
H	Safety switch * – part nr.660027
L	Switch – part nr. 660020
M	Battery charge indicator – part nr. 900419
N	Diode 3A – part nr. 640010

* OPTIONAL



PowerBoss[®]
The Power of Clean

“The Power of Clean”

PowerBoss Is A Full Line Manufacturer Of Sweepers and Scrubbers For Industrial Facilities.

PowerBoss, Inc 175 Anderson Street P.O. Box 1227- Aberdeen North Carolina 28315

Phone: 800-982-7141 - Fax: 1-800-277-7141 Local: 910-944-2105 Fax: 910-944-7409 e-mail: techsupport@powerboss.com

A Member Of The Hako Group